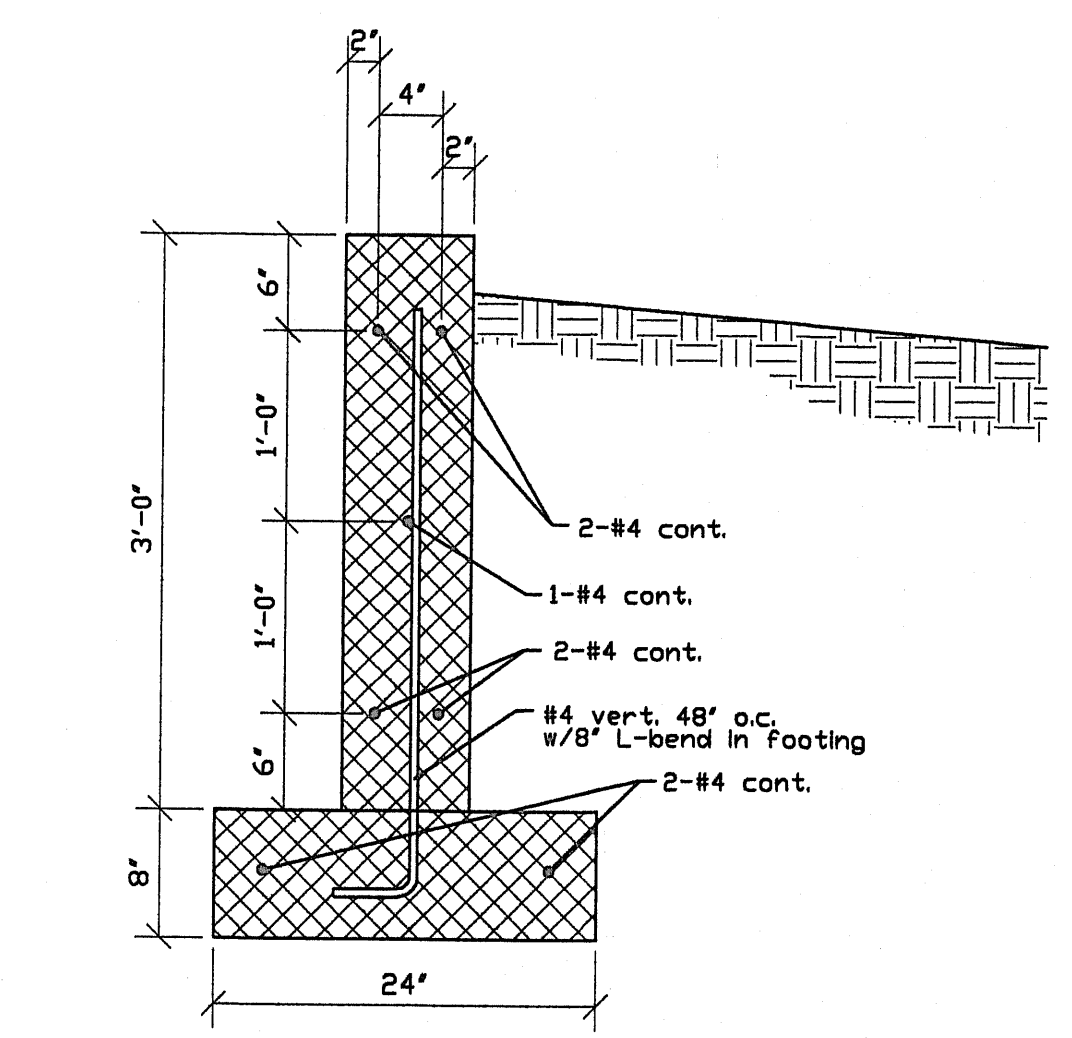
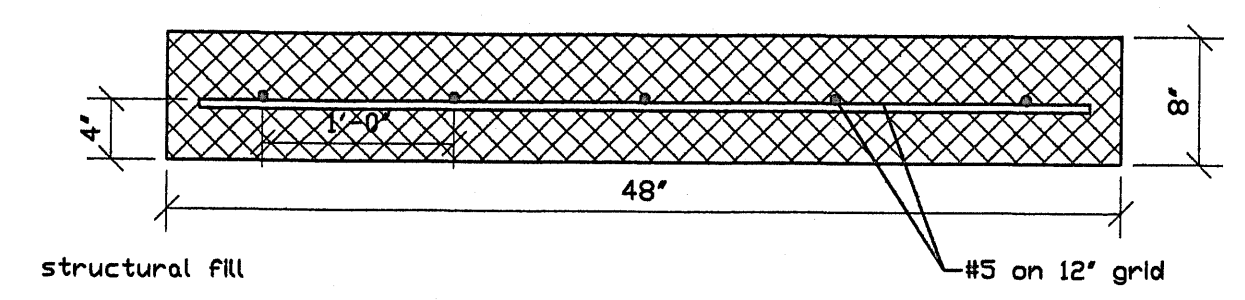


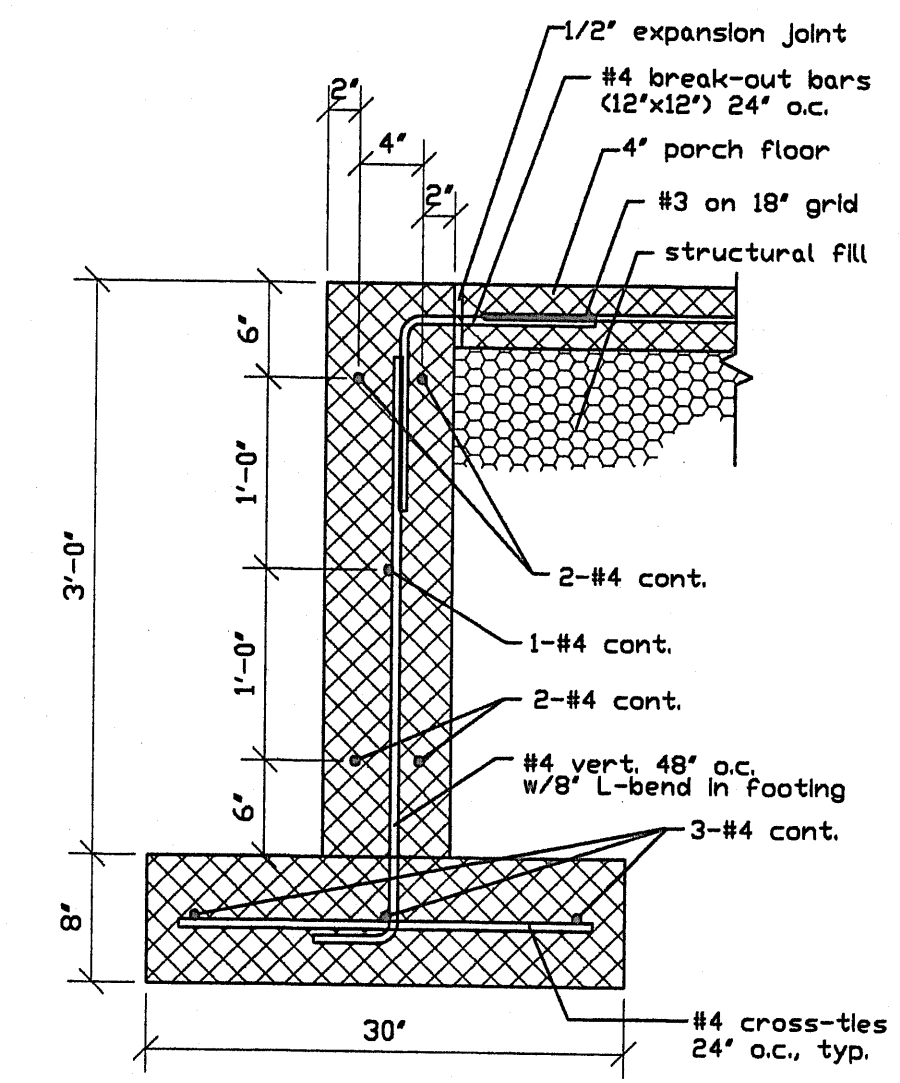
**Section 1A**  
Scale: 1" = 1'-0"



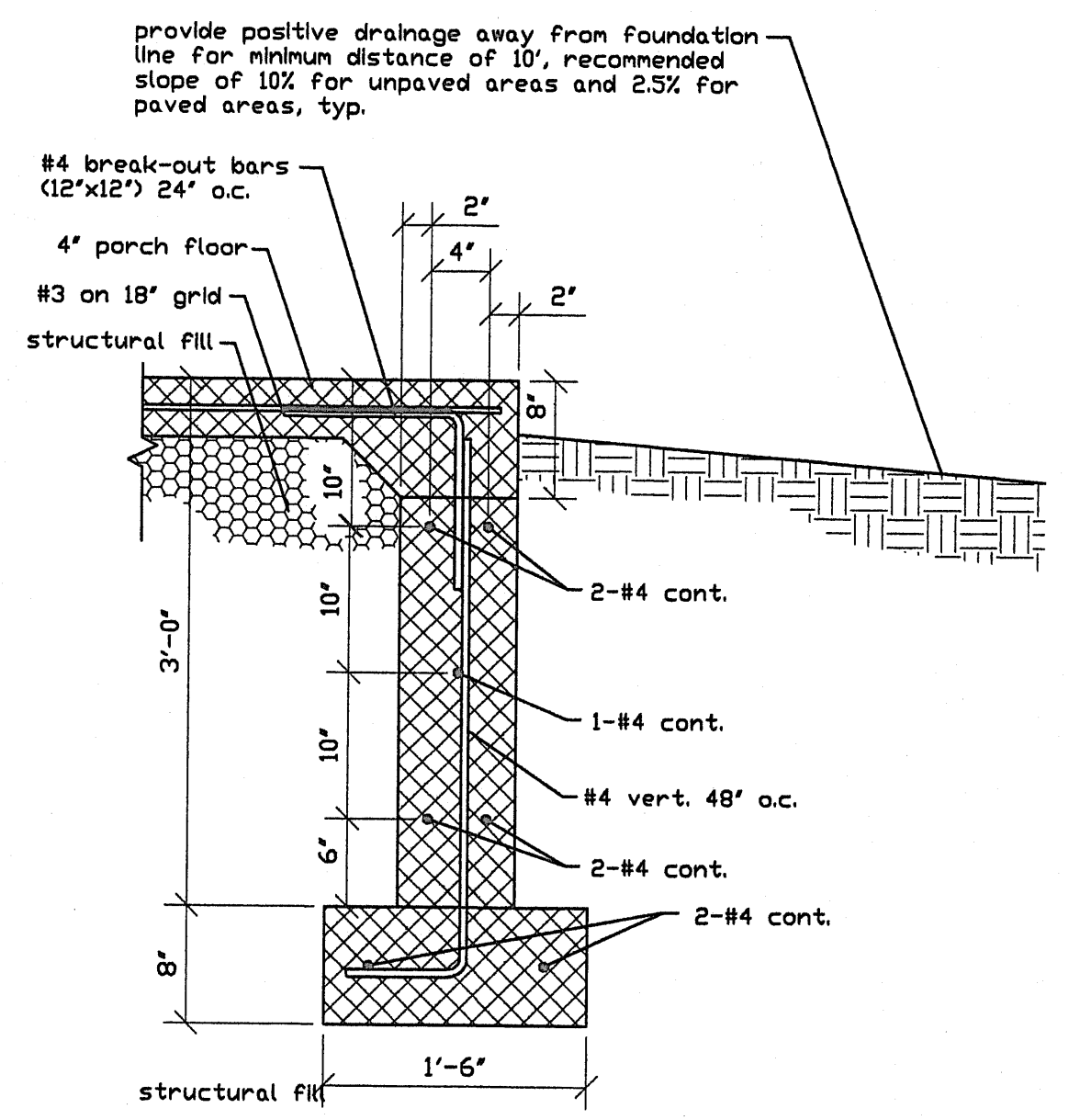
**Section 2**  
Scale: 1" = 1'-0"



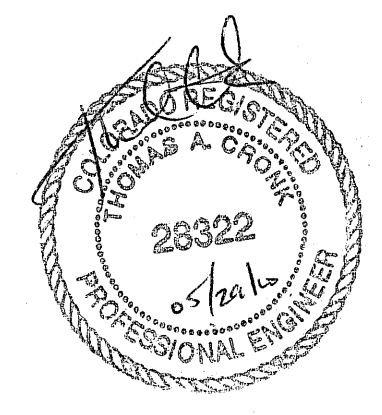
**Section 4**  
Scale: 1" = 1'-0"



**Section 1B**  
Scale: 1" = 1'-0"



**Section 3**  
Scale: 1" = 1'-0"



REVISIONS	REMARKS	BY
DATE		

**UNIVERSITY VILLAGE APTS - UNIT A**  
Foundation Details  
2340 N 17th Street  
Grand Junction, CO 81501

**PRECISION CONSTRUCTION**  
2992 North Avenue  
Grand Junction, CO 81504  
970-243-3355

ENGINEERING DESIGN BY  
CCI ENGINEERING  
CRANK CONSTRUCTION INC.  
**C**  
1129 - 24 - ROAD  
GRAND JUNCTION, CO 81505  
970-243-3377

PROJECT  
**Univ. Village #A**  
foundation dtls

SCALE  
**as shown**

DATE DRAWN  
**05/26/10**

LATEST REVISION  
**NO REVISION**

SHEET **S2** OF **2**