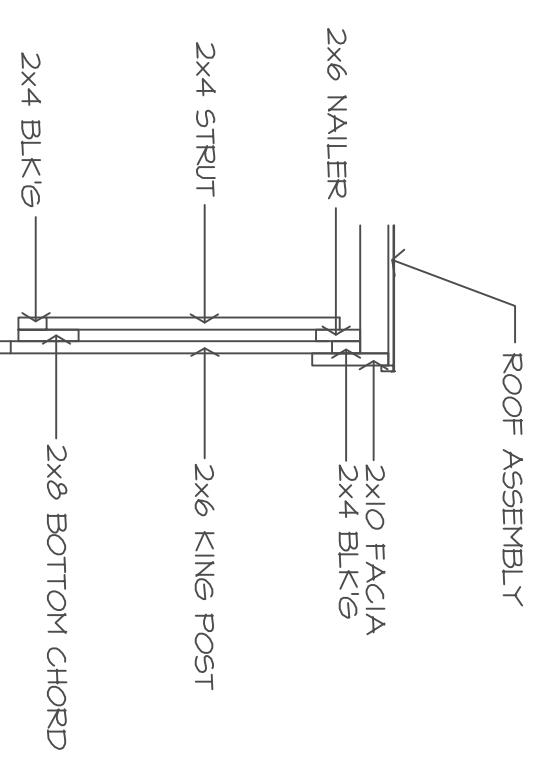
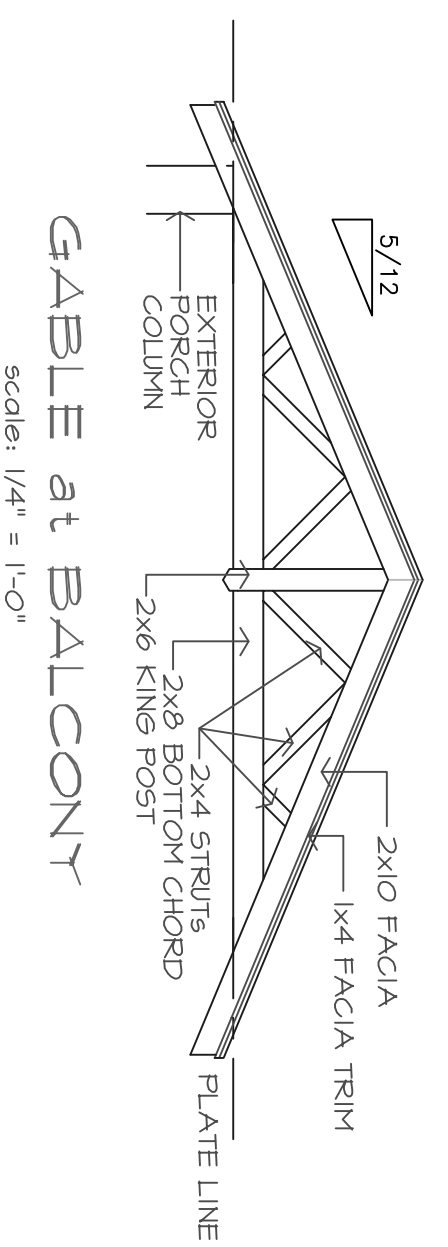


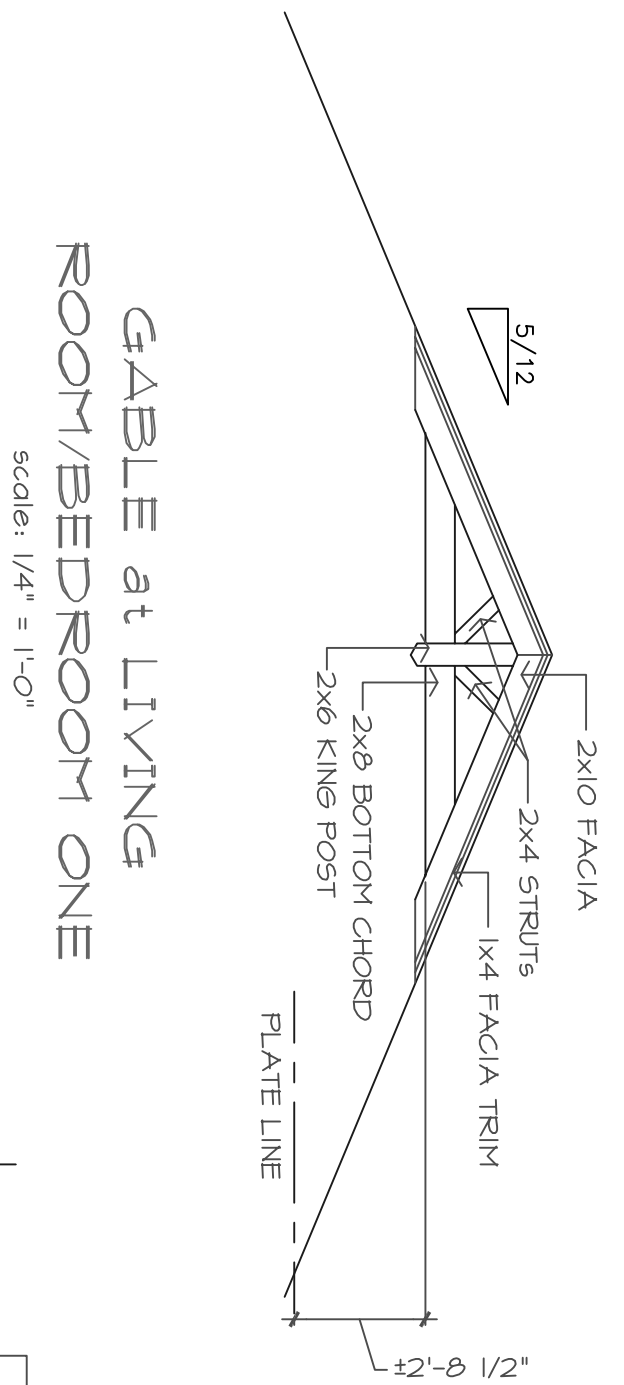
ROOF PLAN
NO SCALE



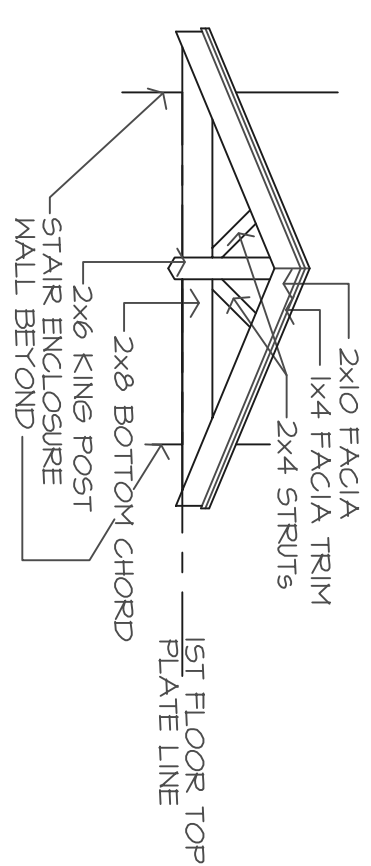
GABLE TRUSS DETAIL
SCALE: 1/2" = 1'-0"



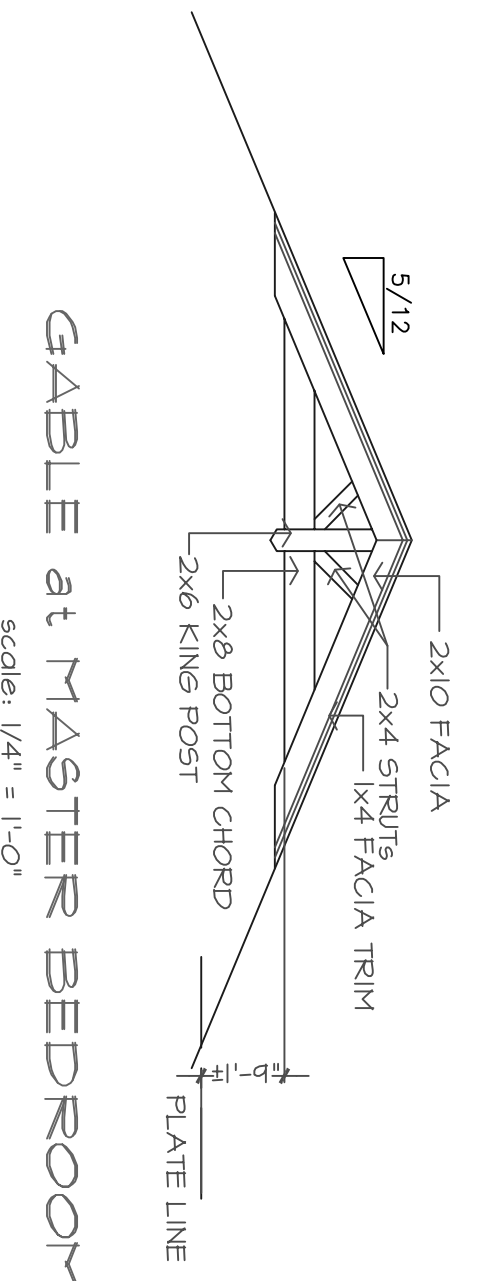
GABLE at BALCONY
scale: 1/4" = 1'-0"



GABLE at LIVING ROOM/BEDROOM ONE
scale: 1/4" = 1'-0"



GABLE at STAIR ENCLOSURE ENTRY
scale: 1/4" = 1'-0"



GABLE at MASTER BEDROOM
scale: 1/4" = 1'-0"

CONSTRUCTION DOCUMENTS
TWO-BEDROOM COMPLEX

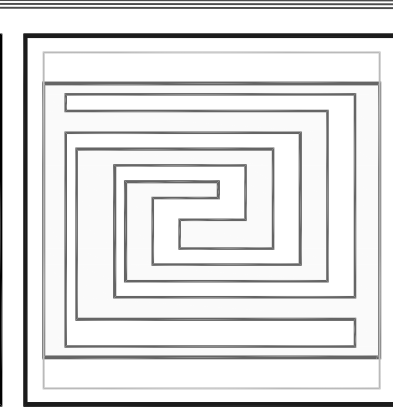
SHEET NUMBER
A4
OF SEVEN

DATE: 07/07/10
DRAWN BY: [blank]
CHECKED BY: [blank]
REVISIONS: [blank]

SCHEMATIC ROOF PLAN
ROOF GABLE ELEVATIONS & DETAIL

UNIVERSITY VILLAGE APTS.
BUILDING F
2340 N. 17th STREET,
GRAND JUNCTION, COLORADO

GENERAL CONTRACTOR:
PRECISION CONSTRUCTION
2992 NORTH AVENUE
G.J., COLORADO 81504
(970) 243-3355



CHRISTOPHER KRABACHER ARCHITECT
P.O. BOX 2592,
GRAND JUNCTION, COLORADO 81502
1206 ROOD AVENUE,
GRAND JUNCTION, COLORADO
(970) 243-3587 (970) 640-8831
ckouray@yahoo.com